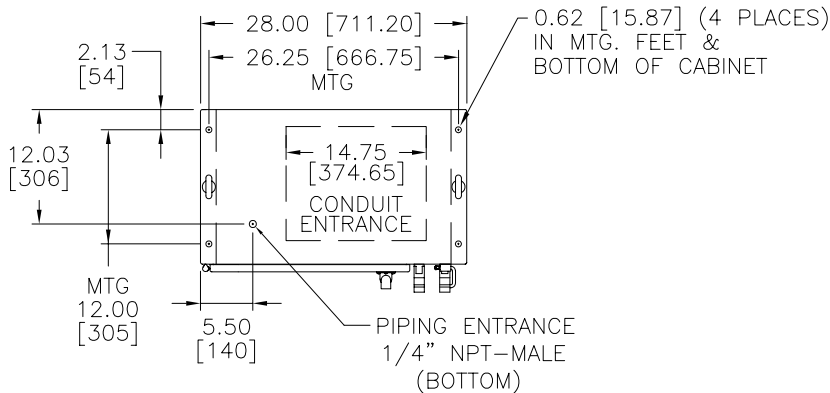


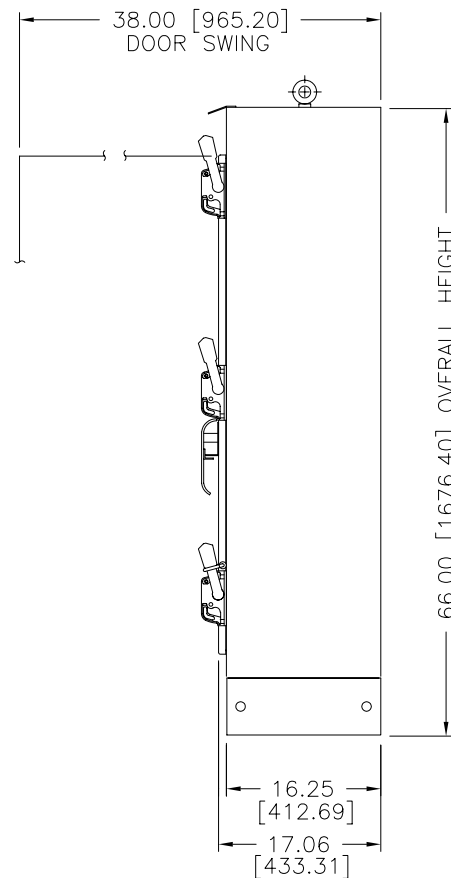
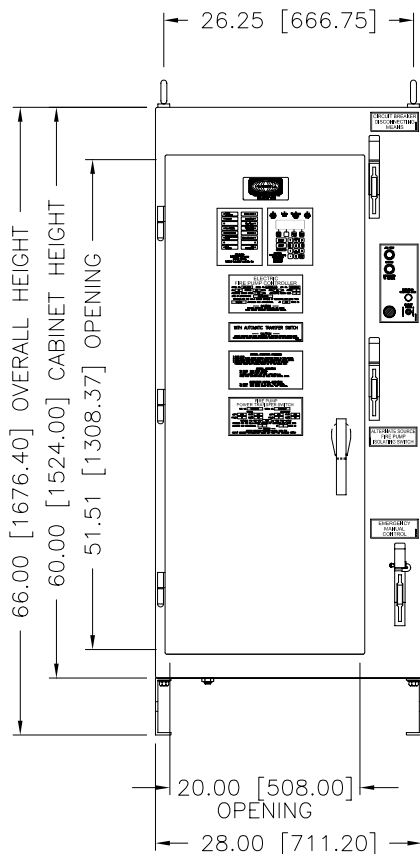
Dimensions and Data

Combination Full Service Fire Pump Controller And LX-450 Automatic Transfer Switch Across-The-Line Starter

LXi-2200



DIMENSIONS SUBJECT TO CHANGE WITHOUT NOTICE. ALWAYS CONSULT FACTORY TO CONFIRM CURRENT INFORMATION.



| RATINGS | HP | VOLTS | WITHSTAND | ENCLOSURE TYPE |
|-------------------|------|-----------|-----------------|---|
| ORDER INFORMATION | 3-30 | 200-208V. | 100,000 A (STD) | NEMA 2 (STD.) |
| | 3-40 | 220-240V. | | NEMA 3R |
| | 3-60 | 380-415V. | 150,000 A | NEMA 12 |
| | 3-75 | 440-480V. | 200,000 A | NEMA 4 (NOT SHOWN *) NEMA 4X (NOT SHOWN *) |
| SELECT | HP | VOLTS | WITHSTAND | ENCLOSURE TYPE |
| | | | | |

NOTES:

- ENCLOSURE MADE FROM 11 GA. STEEL
- FINISH: RED EPOXY-POLYESTER
- NO KNOCKOUTS
- BOTTOM CONDUIT ENTRY
- PROTECT INTERNAL EQUIPMENT FROM DRILLING CHIPS
- FLOOR MOUNTING
- "[]" INDICATES METRIC (mm) DIMENSIONS
- *-SAME OUTSIDE DIMENSIONS



Hubbell Industrial Controls, Inc.
4301 Cheyenne Drive, Archdale, N.C. 27263

| | |
|-----------------|------|
| DATE: | REV. |
| 12/05/2003 | A |
| DRAWING NUMBER: | |
| 22DE0011 | |